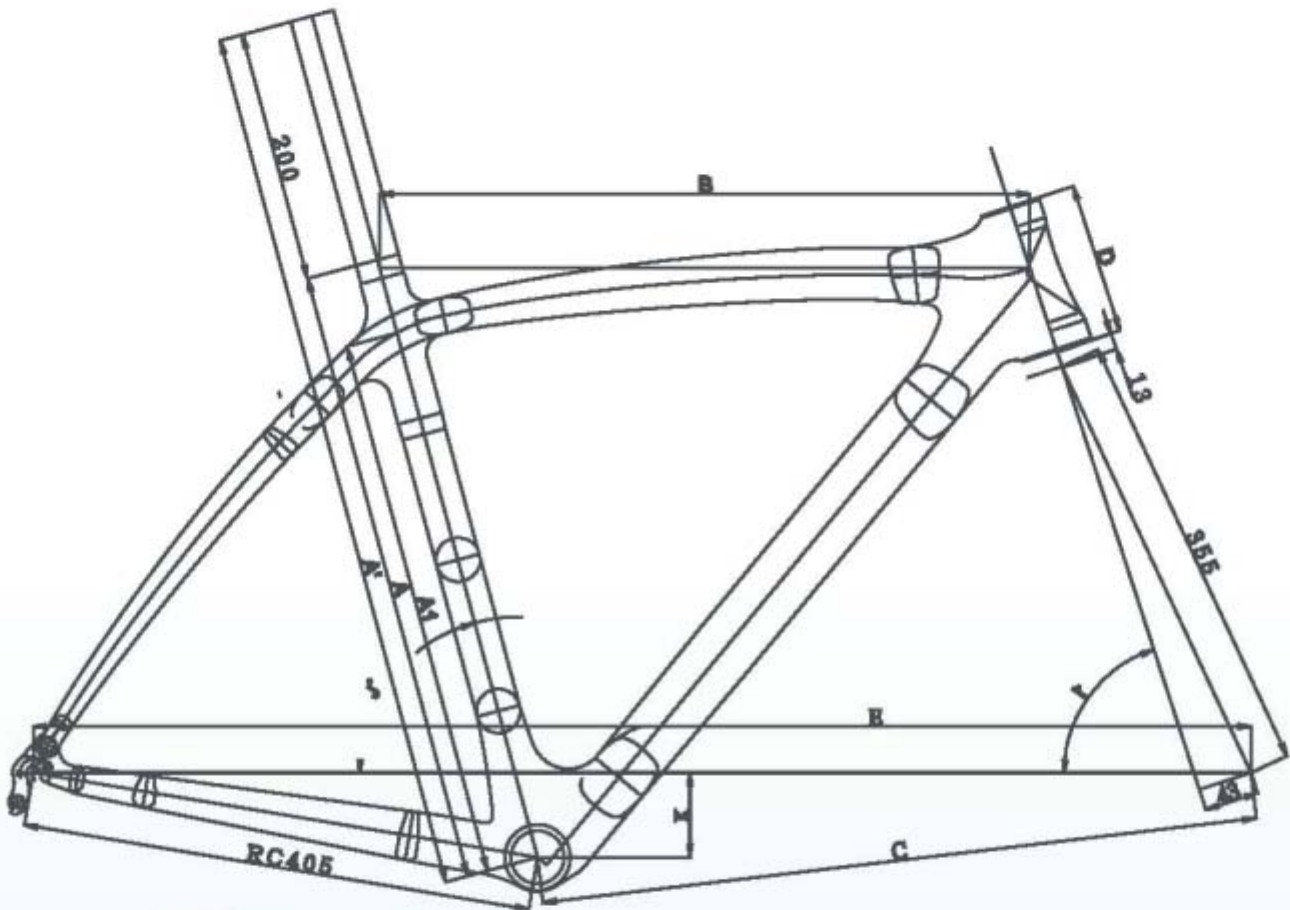


VIPERA R999 2010



Geometri Vipera R999

Size	A	A'	A1	B	C	D	E	I°	J°	K
460(XS)	460	660	410	500	561.9	110	957.3	71°	75°	67
490(S)	490	690	430	515	569	120	964.5	72°	75°	67
520(M)	520	720	460	535	577.6	140	973.1	73°	74.5°	67
550(L)	550	750	490	550	583.9	170	980.3	73°	73.5°	64
580(XL)	580	780	520	575	603.8	200	1000.3	73°	73°	64